



**JMD-X2L  
JMD-X2L DRO**

## **Milling Drilling Center**

**50000989M..... 1~230V,50Hz**

**50000991M..... 1~230V,50Hz**

## **PARTS LIST**



**JPW Tool Group Hong Kong Limited**

98 Granville Road, Tsimshatsui East, Kowloon, Hong Kong, PRC

[www.jettools.com](http://www.jettools.com)

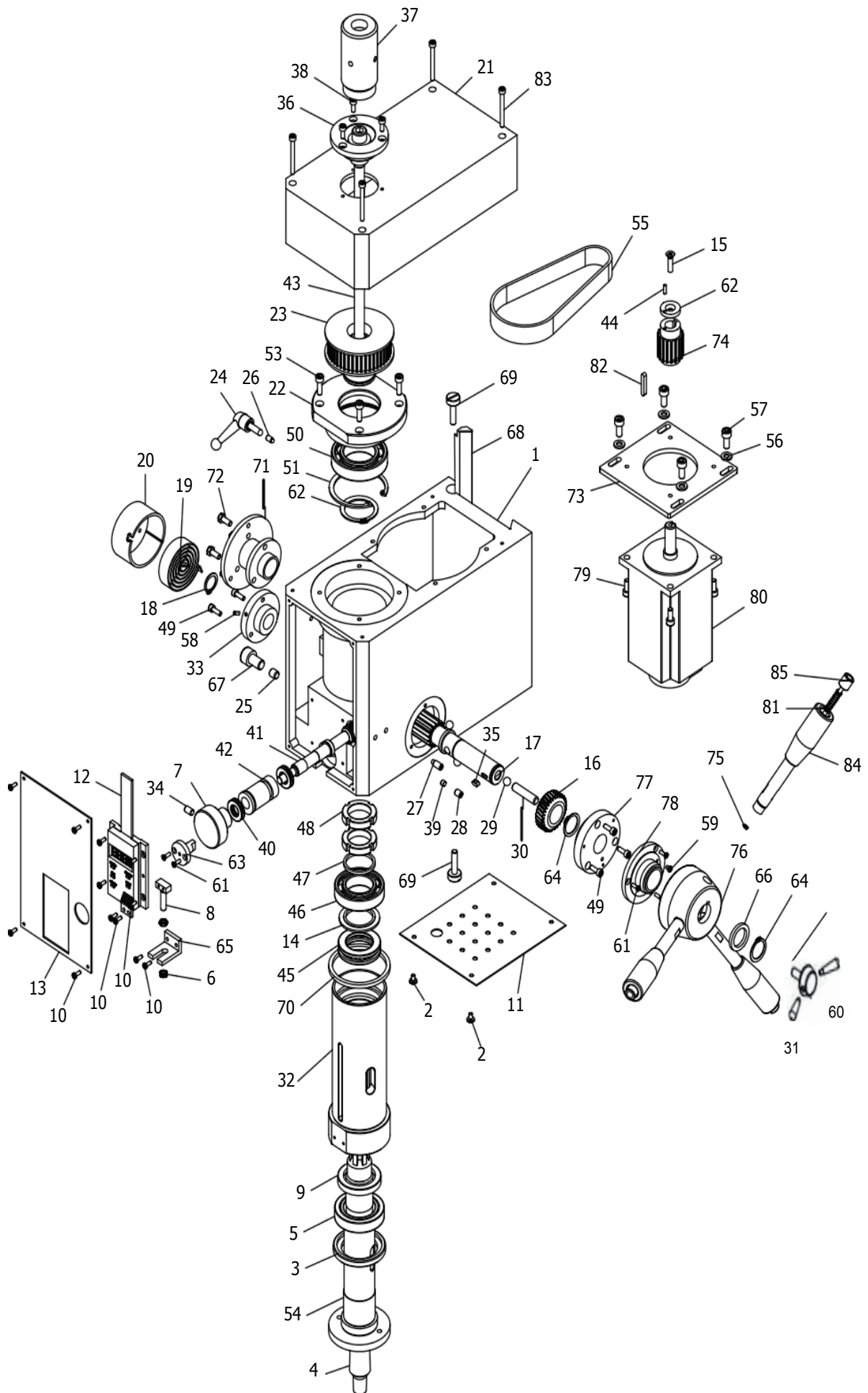
105082, : « »  
www.jettools.ru , . 17

Made in PRC /

M-50000989M /50000991M

2023-08

# Parts Breakdown For JMD-X2L/JMD-X2L DRO Milling Drilling Center (I)



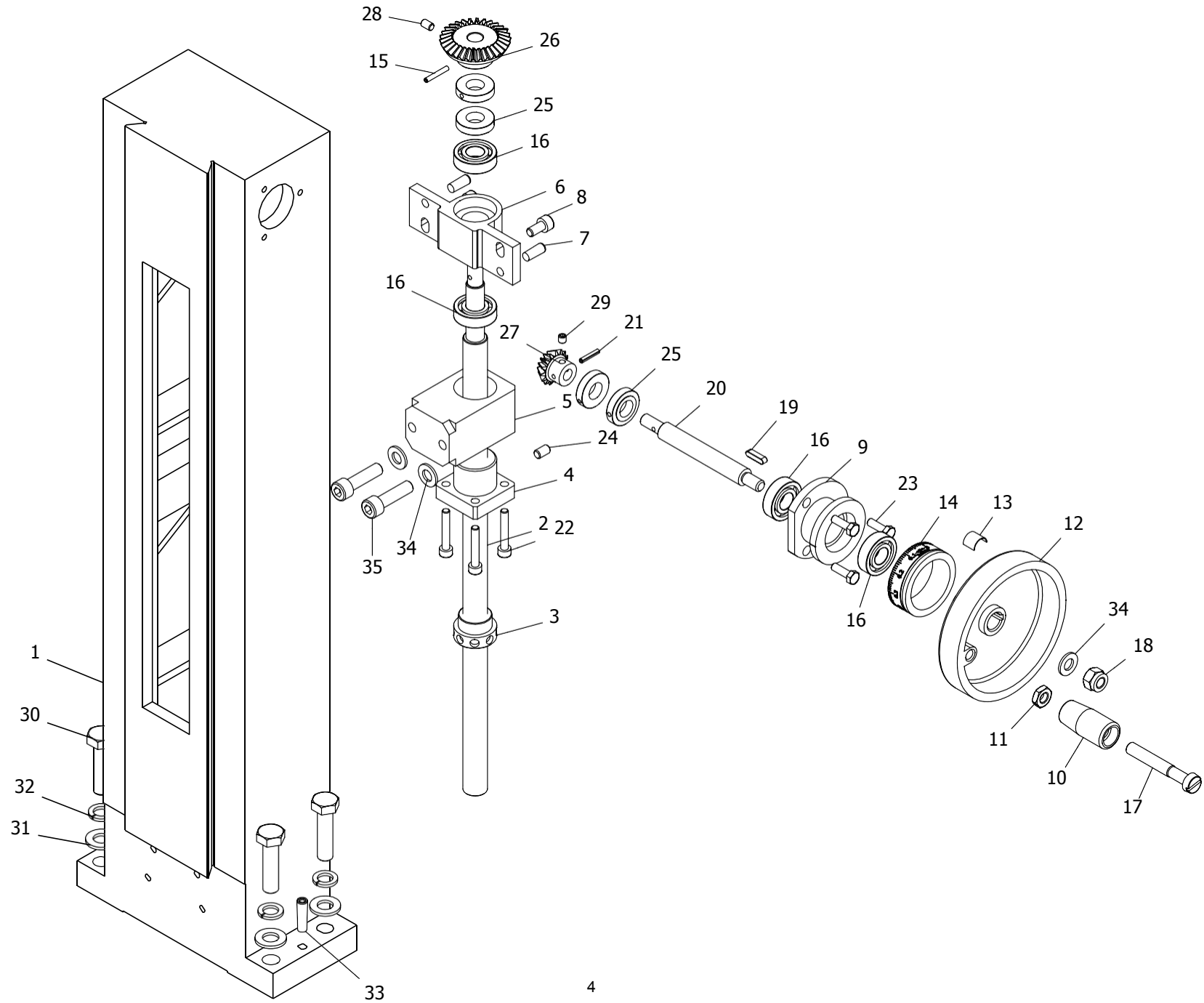
**Part List for JMD-X2L/JMD-X2L DRO Milling Drilling Center**

<b>No.</b>	<b>Part no.</b>	<b>Description</b>	<b>Size</b>	<b>Qty.</b>
1	JMDX2L-I-01	Spindle box		1
2	JMDX2L-I-02	Cross recessed small pan head screw H type	M4X6	2
3	JMDX2L-I-03	Spindle below oil seal ring I		1
4	JMDX2L-I-04	B16 taper shank		1
5	JMDX2L-I-05	Cone roller bearing	32907	1
6	JMDX2L-I-06	Hexagon headed nut	M5	2
7	JMDX2L-I-07	Fine feeding handwheel		1
8	JMDX2L-I-08	Display fixed square screw		1
9	JMDX2L-I-09	Spindle sleeve below oil seal ring II		1
10	JMDX2L-I-10	Cross recessed small pan head screw Z type	M3X8	12
11	JMDX2L-I-11	Base plate series #16040014 and down		1
	JMDX2L-I-11A	Base plate series #16120015 and up		1
12	JMDX2L-I-12	The digital display module		1
13	JMDX2L-I-13	Panel		1
14	JMDX2L-I-14	Up washer II		1
15	JMDX2L-I-15	Cross recessed counter head screws	M5X20	1
16	JMDX2L-I-16	Bevel gear		1
17	JMDX2L-I-17	Gear shaft		1
18	JMDX2L-I-18	Check ring 16		1
19	JMDX2L-I-19	Clock spring		1
20	JMDX2L-I-20	Clock spring cover		1
21	JMDX2L-I-21	Spindle box cover		1
22	JMDX2L-I-22	Bear seat		1
23	JMDX2L-I-23	Spindle timing belt		1
24	JMDX2L-I-24	Small handle assembly		1
25	JMDX2L-I-25	Spindle sleeve locking shaft		1
26	JMDX2L-I-26	Tighten the top rod		1
27	JMDX2L-I-27	Slotted headless set screws	M6X14	1
28	JMDX2L-I-28	Inner six angle locking screws flat head	M6X8	1
29	JMDX2L-I-29	Ball	8	3
30	JMDX2L-I-30	Locking small shaft		1
31	JMDX2L-I-31	Small handle		1
32	JMDX2L-I-32	Spindle sleeve		1
33	JMDX2L-I-33	Sshaft gear left support flange		1
34	JMDX2L-I-34	Inner six angle locking screw flat head	M6X10	1
35	JMDX2L-I-35	Pin	4X8	1
36	JMDX2L-I-36	Spindle up dust guard I		1
37	JMDX2L-I-37	Spindle up dust guard II		1
38	JMDX2L-I-38	Hexagon socket head cap screw	M4X10	3
39	JMDX2L-I-39	Eccentric sleeve locking block		1
40	JMDX2L-I-40	Thrust ball bearing single		2
41	JMDX2L-I-41	Worm shaft		1
42	JMDX2L-I-42	Worm eccentric sleeve		1

**Part List for JMD-X2L/JMD-X2L DRO Milling Drilling Center**

<b>No.</b>	<b>Part no.</b>	<b>Description</b>	<b>Size</b>	<b>Qty.</b>
43	JMDX2L-I-43	Locking bolt assembly		1
44	JMDX2L-I-44	Round pin	A3X10	1
45	JMDX2L-I-45	Thrust ball bearing	8106	1
46	JMDX2L-I-46	Deep groove ball bearing	80106	1
47	JMDX2L-I-47	Up washer		1
48	JMDX2L-I-48	Slotted round nut		2
49	JMDX2L-I-49	Hexagon socket head cap screw	M4X12	6
50	JMDX2L-I-50	Deep groove ball bearing 80107	80107	1
51	JMDX2L-I-51	Check ring 62	62	1
52	JMDX2L-I-52	Check ring 35	35	1
53	JMDX2L-I-53	Hexagon socket head cap screw M5*16	M5X16	4
54	JMDX2L-I-54	Spindle		1
55	JMDX2L-I-55	Timing belt Z77		1
56	JMDX2L-I-56	Washer 6	6	4
57	JMDX2L-I-57	Hexagon socket head cap screw	M6X14	4
58	JMDX2L-I-58	Spring round pin	3X8	2
59	JMDX2L-I-59	Cross recessed small pan head screw Z type	M3X4	1
60	JMDX2L-I-60	Lock top shaft		1
61	JMDX2L-I-61	Cross recessed counter head screws H type	M3X10	5
62	JMDX2L-I-62	Washer		1
63	JMDX2L-I-63	Spindle sleeve position shaft		1
64	JMDX2L-I-64	Check ring	20	2
65	JMDX2L-I-65	Display fixed bracket		1
66	JMDX2L-I-66	Round gear shaft adjust washer		1
67	JMDX2L-I-67	Hexagon socket head cap screw	M10X16	1
68	JMDX2L-I-68	Bevel wedge		1
69	JMDX2L-I-69	Wedge screw		2
70	JMDX2L-I-70	Sleeve limited washer		1
71	JMDX2L-I-71	Attachment bracket		1
72	JMDX2L-I-72	Hexagon headed bolt	M5X12	3
73	JMDX2L-I-73	Motor support plate		1
74	JMDX2L-I-74	Motor timing pulley		1
75	JMDX2L-I-75	Spring washer	3	3
76	JMDX2L-I-76	Handle seat		1
77	JMDX2L-I-77	Shaft gear right support flange		1
78	JMDX2L-I-78	Conducting ring assembly		1
79	JMDX2L-I-79	Hexagon socket head cap screw	M5X12	4
80	JMDX2L-I-80	motor		1
81	JMDX2L-I-81	Compress spring	0.8X6X25	3
82	JMDX2L-I-82	Parallet key	4X25	1
83	JMDX2L-I-83	Hexagon socket head cap screw	M4X40	4
84	JMDX2L-I-84	Ccontrol pole assembly		3
85	JMDX2L-I-85	F/R control pole assembly		3

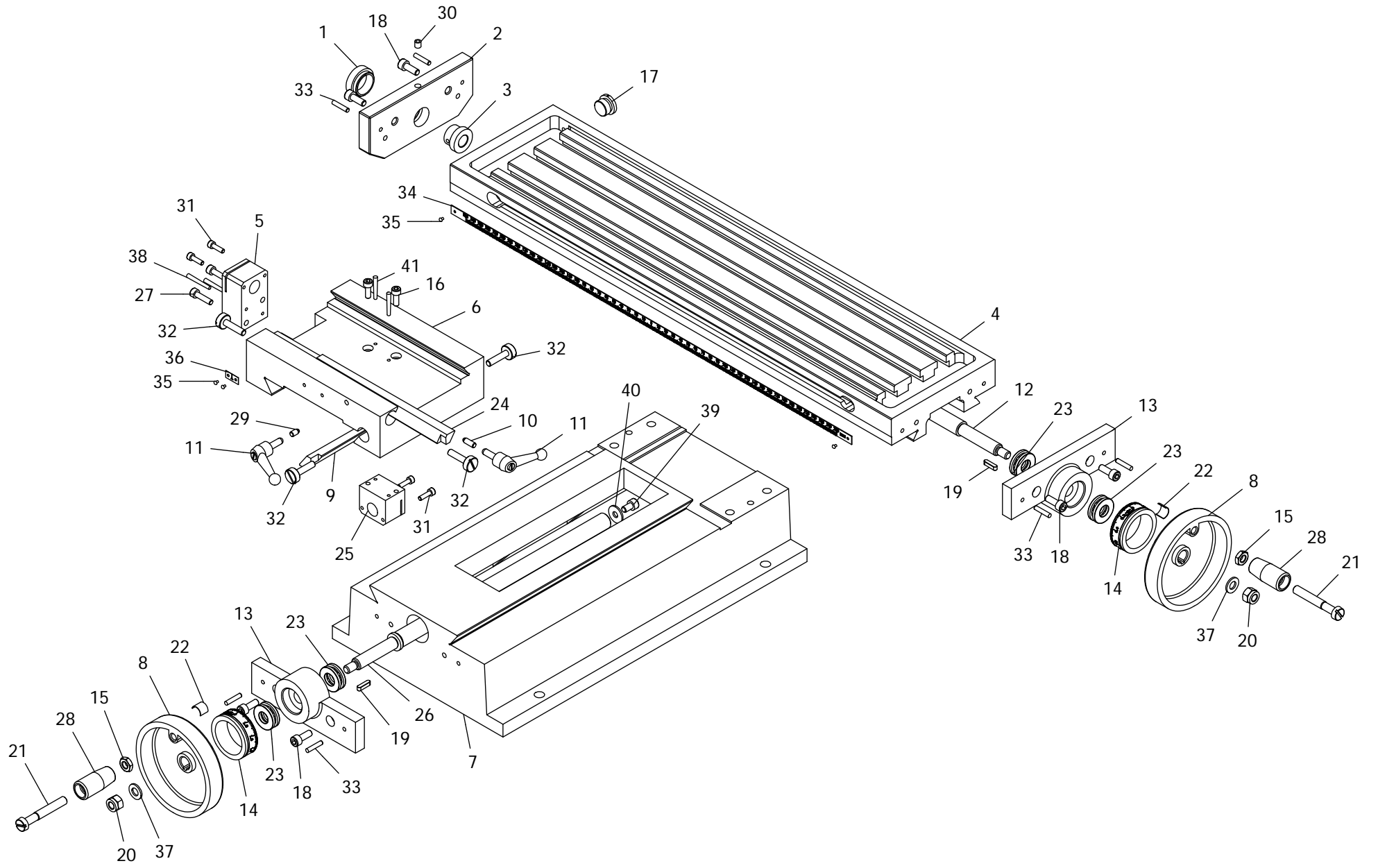
# Parts Breakdown For JMD-X2L/JMD-X2L DRO Milling Drilling Center (II)



**Part List for JMD-X2L/JMD-X2L DRO Milling Drilling Center**

<b>No.</b>	<b>Part no.</b>	<b>Description</b>	<b>Size</b>	<b>Qty.</b>
1	JMDX2L-II-01	Column		1
2	JMDX2L-II-02	Metric rise and down leadscrew		1
3	JMDX2L-II-03	Metric rise and down locking nut		1
4	JMDX2L-II-04	Metric rise and down leadscrew nut		1
5	JMDX2L-II-05	Column nut support		1
6	JMDX2L-II-06	Leadscrew support		1
7	JMDX2L-II-07	Taper pins with internal thread	6X16	2
8	JMDX2L-II-08	Hexagon socket head cap screw	M6X12	2
9	JMDX2L-II-09	Rise and down support seat		1
10	JMDX2L-II-10	Handle		1
11	JMDX2L-II-11	Hex nut	M8	1
12	JMDX2L-II-12	Handle wheel		1
13	JMDX2L-II-13	Spring piece		1
14	JMDX2L-II-14	Metric rise and down scale dial		1
15	JMDX2L-II-15	Spring round pin	3X20	1
16	JMDX2L-II-16	Deep groove ball bearing	6001	4
17	JMDX2L-II-17	Slotted large cheese head screws	85X55	1
18	JMDX2L-II-18	Hex locking nut	M8	1
19	JMDX2L-II-19	Parallet key	4X16	1
20	JMDX2L-II-20	Rise and down shaft		1
21	JMDX2L-II-21	Spring round pin	3X16	1
22	JMDX2L-II-22	Hexagon socket head cap screw	M5X30	4
23	JMDX2L-II-23	Hexagon headed bolt	M5X16	3
24	JMDX2L-II-24	Inner six angle locking screws-flast end	M6X10	1
25	JMDX2L-II-25	Locking nut		4
26	JMDX2L-II-26	Big bevel gear wheel		1
27	JMDX2L-II-27	Small bevel gear wheel		1
28	JMDX2L-II-28	Inner six angle locking screws-cone end	M5X8	1
29	JMDX2L-II-29	Inner six angle locking screws-cone end	M5X5	1
30	JMDX2L-II-30	Hexagon headed bolt	M10X40	4
31	JMDX2L-II-31	Washer	10	4
32	JMDX2L-II-32	Spring washer	10	4
33	JMDX2L-II-33	Taper pins with internal thread	6X24	2
34	JMDX2L-II-34	Washer	8	1
35	JMDX2L-II-35	Hexagon socket head cap screw	M8X30	2

# Parts Breakdown For JMD-2L/JMD-2L DRO Milling Drilling Center (III)

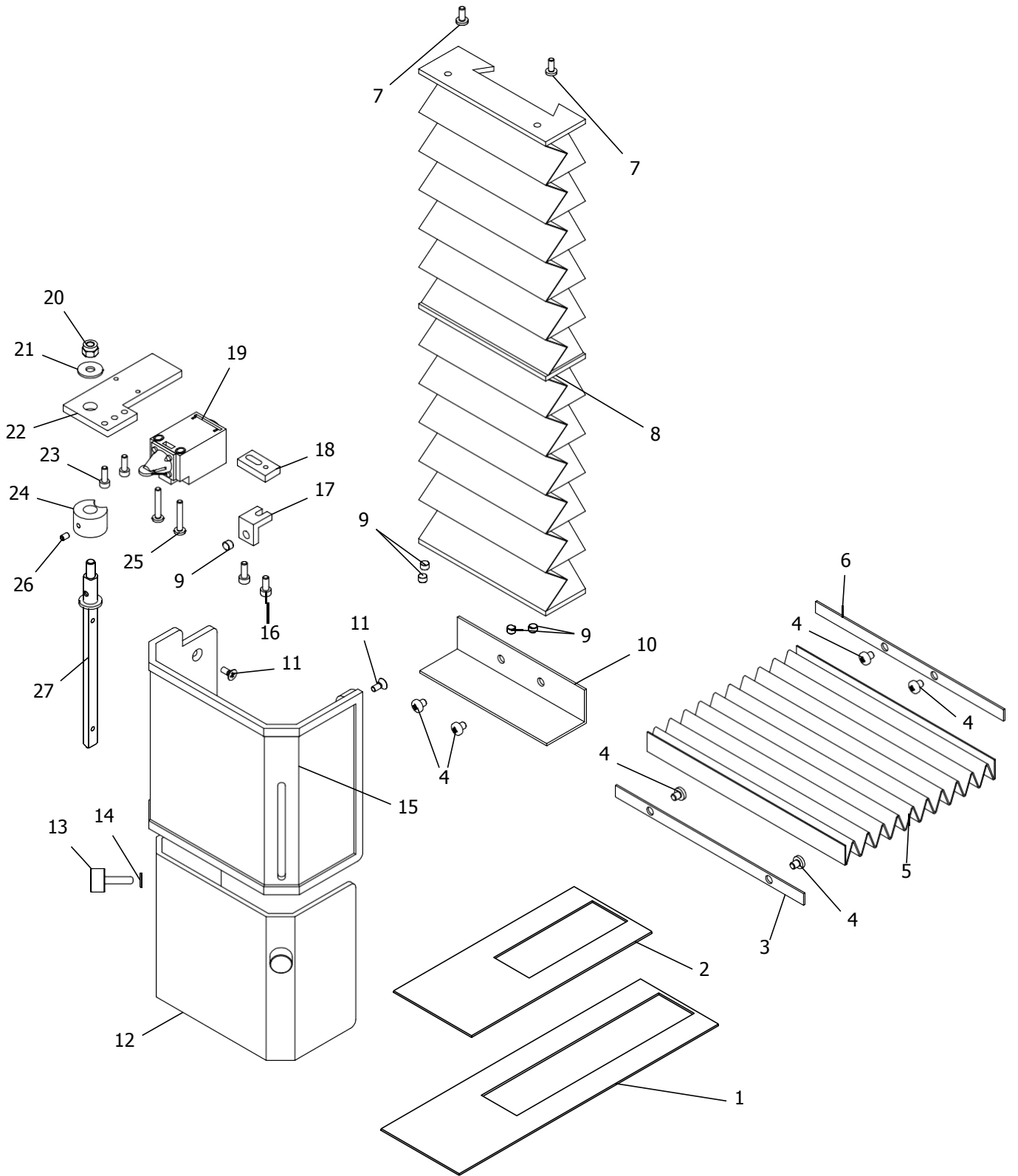


**Part List for JMD-2L/JMD-2L DRO Milling Drilling Center**

<b>No.</b>	<b>Part no.</b>	<b>Description</b>	<b>Size</b>	<b>Qty.</b>
1	JMDX2L-III-01	End cap of left support		1
2	JMDX2L-III-02	Left end cover		1
3	JMDX2L-III-03	Left sleeve		1
4	JMDX2L-III-04	Work table		1
5	JMDX2L-III-05	Metric longitudinal leadscrew nut		1
6	JMDX2L-III-06	Saddle		1
7	JMDX2L-III-07	Base		1
8	JMDX2L-III-08	Longitudinal leadscrew handwheel		1
9	JMDX2L-III-09	Cross bevel wedge		1
10	JMDX2L-III- 10	Longitudinal wedge locking crown bar		1
11	JMDX2L-III- 11	Small handle assembly		2
12	JMDX2L-III- 12	Metric longitudinal leadscrew		1
13	JMDX2L-III- 13	Longitudinal cross leadscrew bearing seat		2
14	JMDX2L-III- 14	Metric longitudinal/cross scale dial		2
15	JMDX2L-III- 15	Nut M8		2
16	JMDX2L-III- 16	Screw M5*20		4
17	JMDX2L-III- 17	End cap		1
18	JMDX2L-III- 18	Hexagon socket head cap screw M6*16	M6X16	6
19	JMDX2L-III- 19	Parallet key 4*16	4X16	1
20	JMDX2L-III-20	Hexagon locking nut M8	M8	1
21	JMDX2L-III-21	Round screw		2
22	JMDX2L-III-22	Sping piece		2
23	JMDX2L-III-23	Thrust ball bearing 8101	8101	4
24	JMDX2L-III-24	Longitudinal bevel wedge		1
25	JMDX2L-III-25	Metric cross leadscrew nut		1
26	JMDX2L-III-26	Metric cross leadscrew		1
27	JMDX2L-III-27	Hexagon socket head cap screw M5*20	M520	2
28	JMDX2L-III-28	Handle series # 16040026 and down		2
29	JMDX2L-III-29	Tighten the top rod		1
30	JMDX2L-III-30	Pressure with pressure column oil cup 6	6	1
31	JMDX2L-III-31	Hexagon socket head cap screw M4*14	M4X14	4
32	JMDX2L-III-32	Wedge screw		4
33	JMDX2L-III-33	Round pin A4*20	A420	6
34	JMDX2L-III-34	Scale height		1
35	JMDX2L-III-35	Label rivet 2*3	2X3	4
36	JMDX2L-III-36	Zero lebel		1
37	JMDX2L-III-37	Washer 8	8	1
38	JMDX2L-III-38	Taper pin A3*30	A3X30	2
39	JMDX2L-III-39	Hexagon socket head cap screw M6*10	M6X10	1
40	JMDX2L-III-40	Washer 6	6	1
41	JMDX2L-III-41	Taper pin B3*26	B326	2



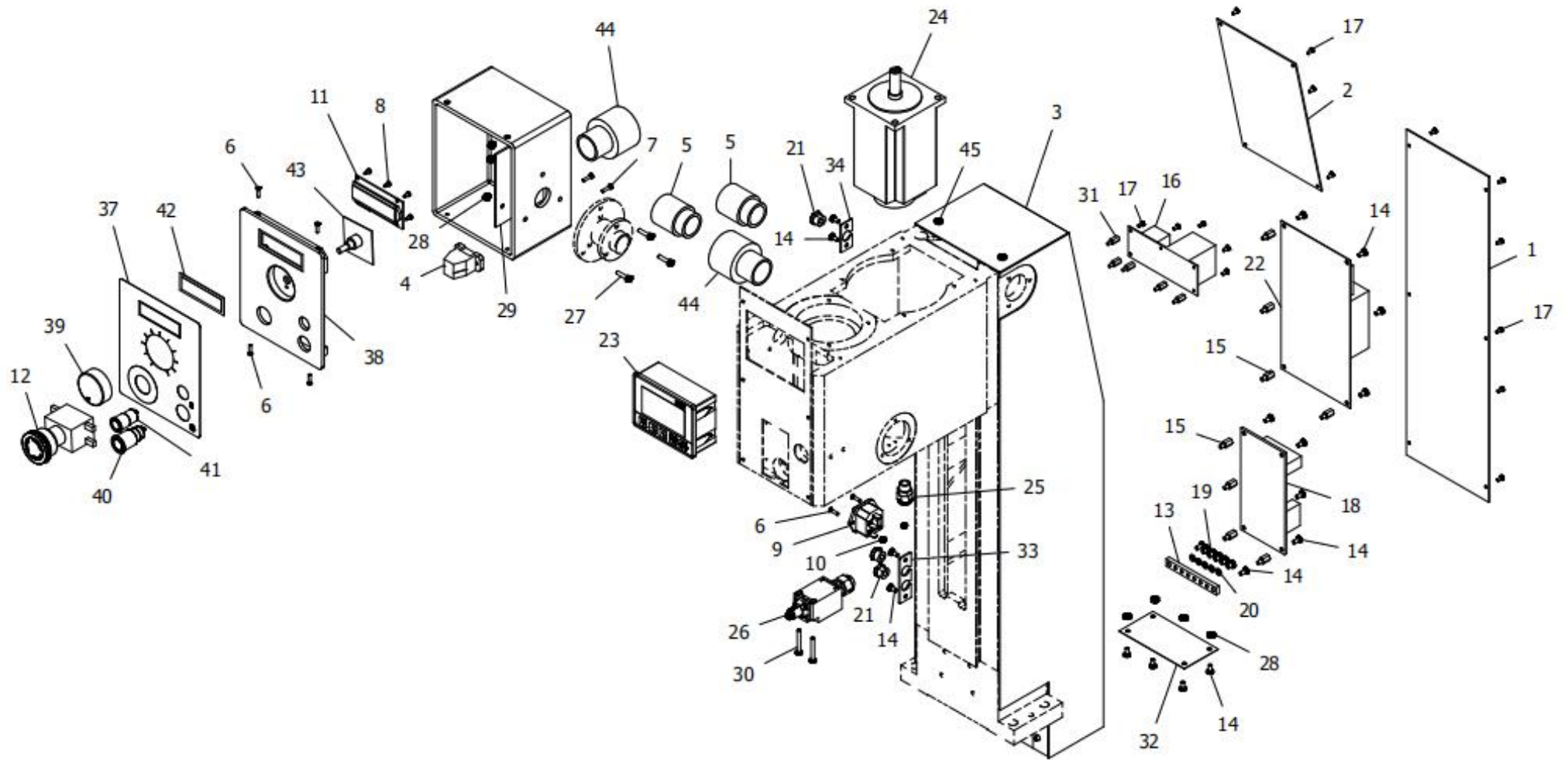
# Parts Breakdown For JMD-X2L/JMD-X2L DRO Milling Drilling Center (IV)



**Part List for JMD-X2L/JMD-X2L DRO Milling Drilling Center**

<b>No.</b>	<b>Part no.</b>	<b>Description</b>	<b>Size</b>	<b>Qty.</b>
1	JMDX2L-IV-01	Splash guard I		1
2	JMDX2L-IV-02	Splash guard II		1
3	JMDX2L-IV-03	Filler strip		1
4	JMDX2L-IV-04	Cross recessed counter head screws	M4X6	6
5	JMDX2L-IV-05	Dust guard		1
6	JMDX2L-IV-06	Dead plate		1
7	JMDX2L-IV-07	Cross recessed counter head screws	M4X10	2
8	JMDX2L-IV-08	Rise and down guideway cover		1
9	JMDX2L-IV-09	Magnet steel	Ø6	5
10	JMDX2L-IV-10	Shield baffle		1
11	JMDX2L-IV-11	Cross recessed counter head screws	M4X10	3
12	JMDX2L-IV-12	The inner shield		1
13	JMDX2L-IV-13	Knurled screws	M5X20	2
14	JMDX2L-IV-14	Washer	5	2
15	JMDX2L-IV-15	Outer protective cover		1
16	JMDX2L-IV-16	Hexagon socket head cap screw	M4X10	1
17	JMDX2L-IV-17	Block		1
18	JMDX2L-IV-18	Connecting plate		1
19	JMDX2L-IV-19	Safety limit switch		1
20	JMDX2L-IV-20	Hexagon locking nut	M6	1
21	JMDX2L-IV-21	Washer 6	6	1
22	JMDX2L-IV-22	Support plate		1
23	JMDX2L-IV-23	Hexagon socket head cap screw	M4X12	3
24	JMDX2L-IV-24	Spacer bush		1
25	JMDX2L-IV-25	Cross recessed counter head screws	M4X25	2
26	JMDX2L-IV-26	Inner six angle locking screw-cone end metric	M4X6	1
27	JMDX2L-IV-27	Rotate shaft		1

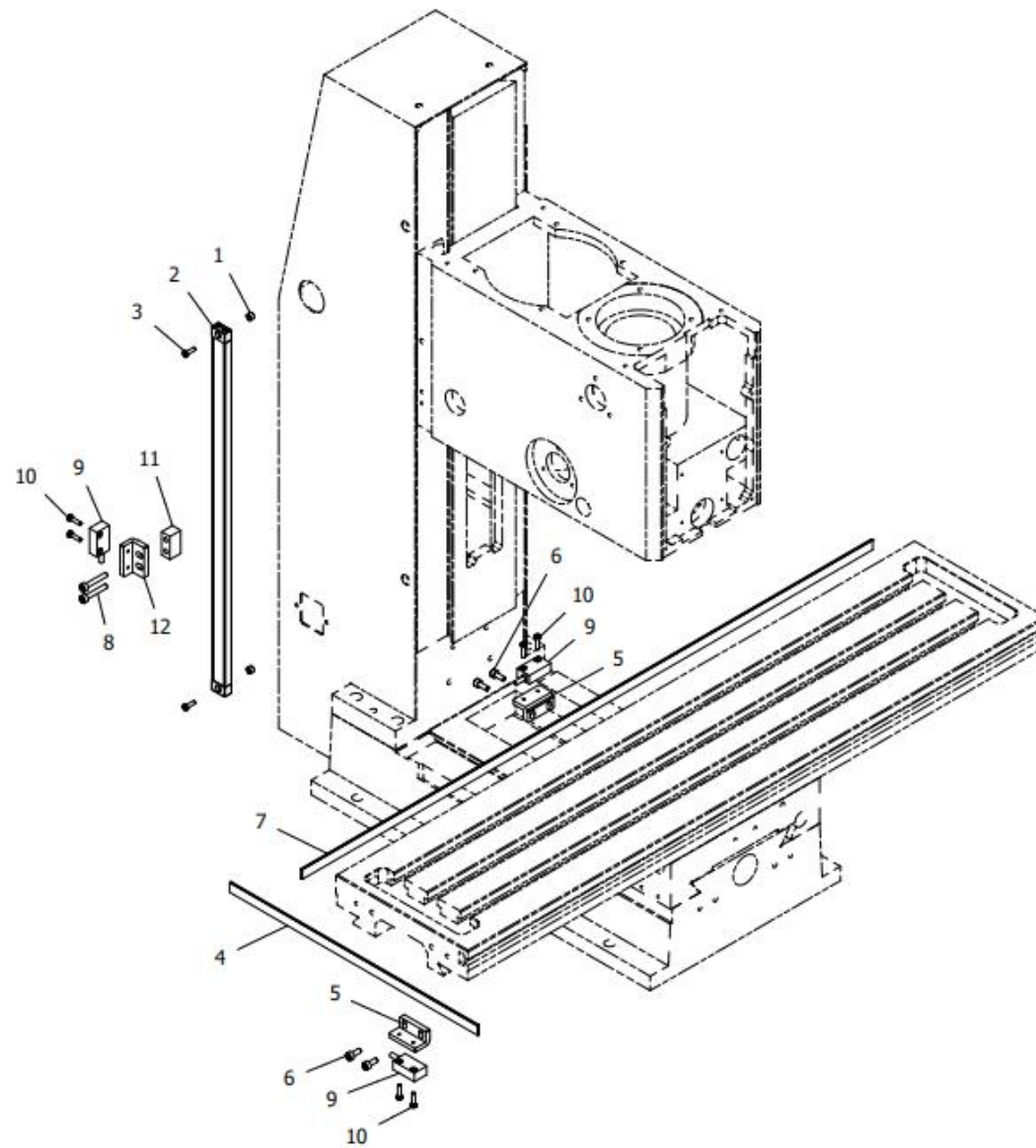
# Parts Breakdown For JMD-X2L/JMD-X2L DRO Milling Drilling Center (V)



**Part List for JMD-X2L/JMD-X2L DRO Milling Drilling Center**

<b>No.</b>	<b>Part no.</b>	<b>Description</b>	<b>Size</b>	<b>Qty.</b>
1	JMDX2L-V-01	Lower cover		1
2	JMDX2L-V-02	Upper cover plate		1
3	JMDX2L-V-03	Rear hood assembly		1
4	JMDX2L-V-04	USB socket assembly		1
5	JMDX2L-V-05	Fast hose connector		2
6	JMDX2L-V-06	Screw M3*12	M3X12	6
7	JMDX2L-V-07	Screw M3*12	M3X12	2
8	JMDX2L-V-08	Screw ST2.9*6.5		4
9	JMDX2L-V-09	DB-14F fuse holder		1
10	JMDX2L-V-10	Nut M3	M3	2
11	JMDX2L-V-11	Y-2 Liquid crystal board		1
12	JMDX2L-V-12	Emergency stop switch		1
13	JMDX2L-V-13	Ground row		1
14	JMDX2L-V-14	Screw M4*8	M4X8	18
15	JMDX2L-V-15	HTS-410 Isolation pillar		8
16	JMDX2L-V-16	Power supply board		1
17	JMDX2L-V-17	Screw M3*6	M3X6	15
18	JMDX2L-V-18	Filter (only for 230V )		1
19	JMDX2L-V-19	Screw M5*6	M5X6	5
20	JMDX2L-V-20	Spring washer 5	5	5
21	JMDX2L-V-21	Wire buckle		3
22	JMDX2L-V-22	ZD750-1A/230V PC Board		1
23	JMDX2L DRO-V-23	MG10V Display		1
24	JMDX2L-V-24	W80-750A Brushless motor		1
25	JMDX2L-V-25	M12 draw lock		1
26	JMDX2L-V-26	QKS7 Safety limit switch		1
27	JMDX2L-V-27	Bolt M4*16	M4X16	3
28	JMDX2L-V-28	Nut M4	4	11
29	JMDX2L-V-29	Electrical box linings		1
30	JMDX2L-V-30	Screw M4*30	M4X30	2
31	JMDX2L-V-31	HTS-310 Isolation pillar		5
32	JMDX2L-V-32	Lower dust screen		1
33	JMDX2L-V-33	Wire clip holder		1
34	JMDX2L-V-34	Wire clip holder		1
35	JMDX2L-V-35	Shop plate		1
36	JMDX2L-V-36	Electric box		1
37	JMDX2L-V-37	Switch sign		1
38	JMDX2L-V-38	Electric box cover		1
39	JMDX2L-V-39	GX-2 Knob		1
40	JMDX2L-V-40	J19-E-271B Start-stop button		1
41	JMDX2L-V-41	J16-E-271B Tapping button		1
42	JMDX2L-V-42	Back plate		1
43	JMDX2L-V-43	X-4D Knob panel		1
44	JMDX2L-V-44	Fast hose connector		2
45	JMDX2L-V-45	Screw M5*8	M5X8	4

# Parts Breakdown For JMD-X2L/JMD-X2L DRO Milling Drilling Center (VI)



**Part List for JMD-X2L DRO Milling Drilling Center**

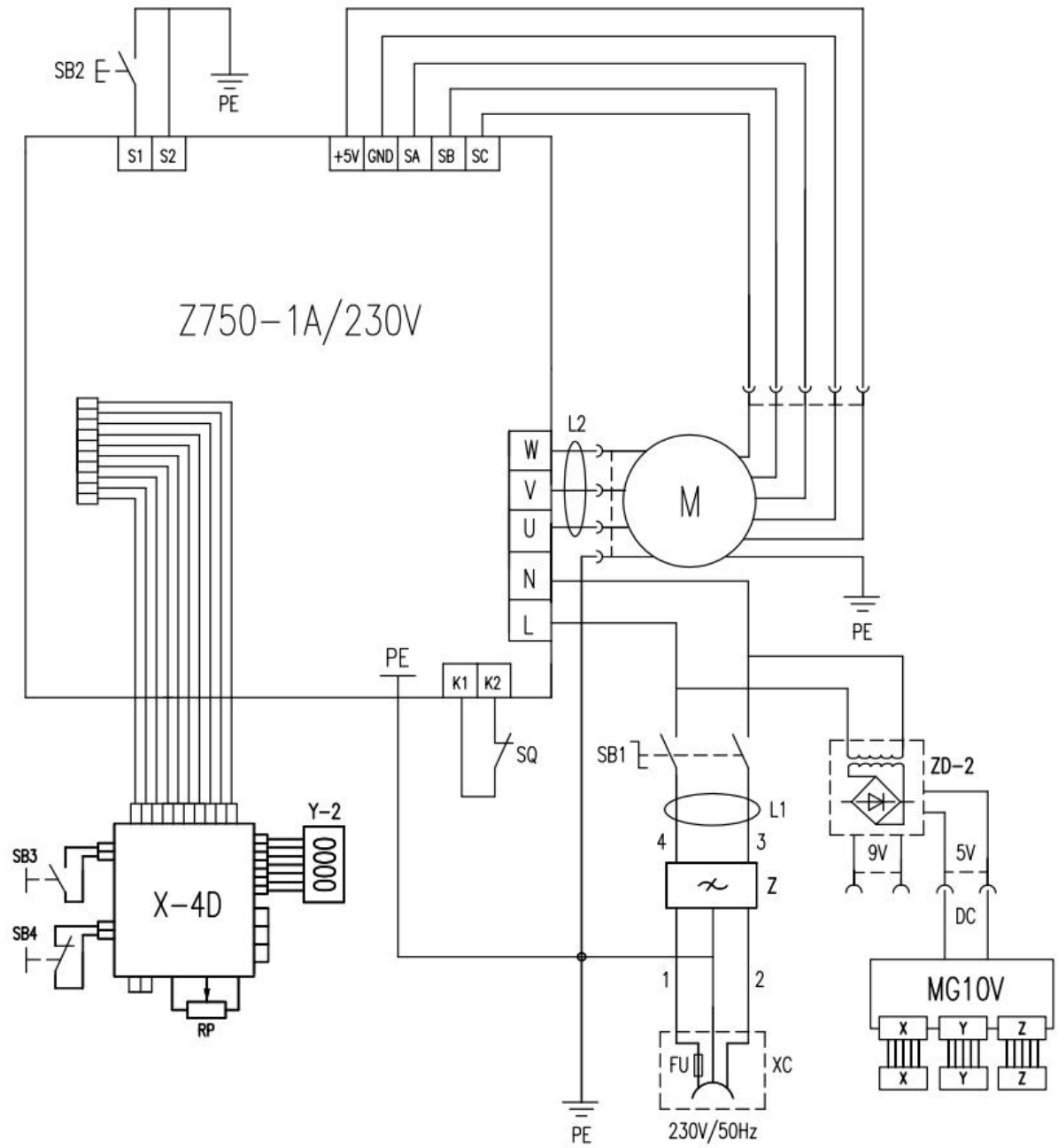
<b>No.</b>	<b>Part no.</b>	<b>Description</b>	<b>Size</b>	<b>Qty.</b>
1	JMDX2LDRO-VI-01	Washer for JMD-X2L DRO		2
2	JMDX2LDRO-VI-02	X axis magnetic ruler for JMD-X2L DRO		1
3	JMDX2LDRO-VI-03	Screw M3*10 for JMD-X2L DRO	M3X10	2
4	JMDX2LDRO-VI-04	X axis magnetic ruler for JMD-X2L DRO		1
5	JMDX2LDRO-VI-05	Read head for JMD-X2L DRO		2
6	JMDX2LDRO-VI-06	Screw M4*10 for JMD-X2L DRO	M4X10	4
7	JMDX2LDRO-VI-07	X axis magnetic ruler for JMD-X2L DRO		1
8	JMDX2LDRO-VI-08	Screw M4*25 for JMD-X2L DRO	M4X25	2
9	JMDX2LDRO-VI-09	MG10V DRO with readers assembly for JMD-X2L DRO		3
10	JMDX2LDRO-VI-10	Screw M3*12 for JMD-X2L DRO	M3X12	6
11	JMDX2LDRO-VI-11	Read block for JMD-X2S DRO		1
12	JMDX2LDRO-VI-12	Z axis reader block for JMD-X2S DRO		1

**Accessories Part List for JMD-X2L/JMD-X2L DRO Milling Drilling Center**

No.	Part no.	Descirption	Size	Qty.
1	JMDX2L-ACCS-01	T nut		2
2	JMDX2L-ACCS-02	Double end wrench	S1*S2:8*10, 14*17, 17*19	each 1
3	JMDX2L-ACCS-03	L hex wrench assemble		1
4	JMDX2L-ACCS-04	L hex wrench	S:3,4,5,6,8	each 1
5	JMDX2L-ACCS-05	Slanting wedge		1
6	JMDX2L-ACCS-06	Fuse	230V/8A	1
7	JMDX2L-ACCS-07	Oil cup		1
8	JMDX2L-ACCS-08	Drill Chuck	1- 13mm, B16	1
9	JMDX2L-ACCS-09	U wrench		1

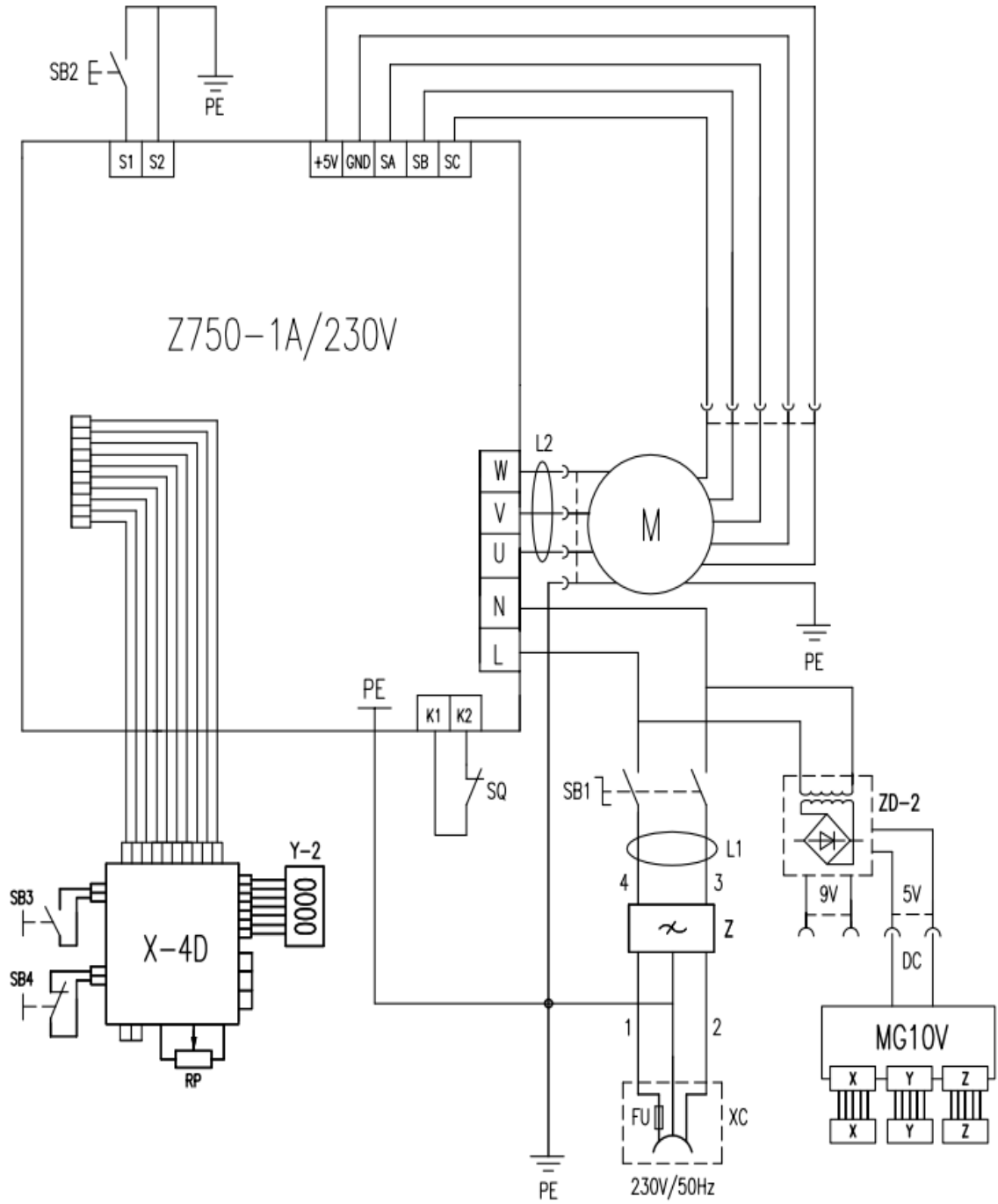


# JMD-X2L..... 1~230V,50Hz





# JMD-X2L DRO..... 1~230V,50Hz



**Electric Elements Part List for JMD-X2L / JMD-X2L DRO Milling Drilling Center**

<b>Part No.</b>	<b>Code of elements</b>	<b>Description</b>	<b>Type</b>
JMDX2L-V-22	Z750-1A	Main PC board	Z750-1A
JMDX2L-I-80	W80-750A	Brushless DC motor	W80-750AW
JMDX2L-FU	FU	Fuse	8A
JMDX2L-V-11	A-1	Y-2 Liquid crystal board	
JMDX2L-V-18	Z	Filtre	XMT-2305L
JMDX2L-IV-26	SQ	Safety limit switch	QKS7
JMDX2L-V-12	SB1	Emergency switch	HY57B
JMDX2L-SB2	SB2	Button for tapping	
JMDX2L-V-09	XC	Socket with fuse	DB-14F
JMDX2L-L1	L-1	Ten core cable	
JMDX2L-V-07	Y-2	Rotate speed display	
JMDX2L-L2	L-2	Flat cable	
JMDX2L-L	L	Magnet ring	
JMDX2LDRO-V-33	ZD-2	DC power panel	
JMDX2LDRO-VI-23	MG10V	Display	MG10V
JMDX2LDRO-X2	X2	Rectangular connecting cable	
JMDX2LDRO-VI-05	RD50	Reader	RD50